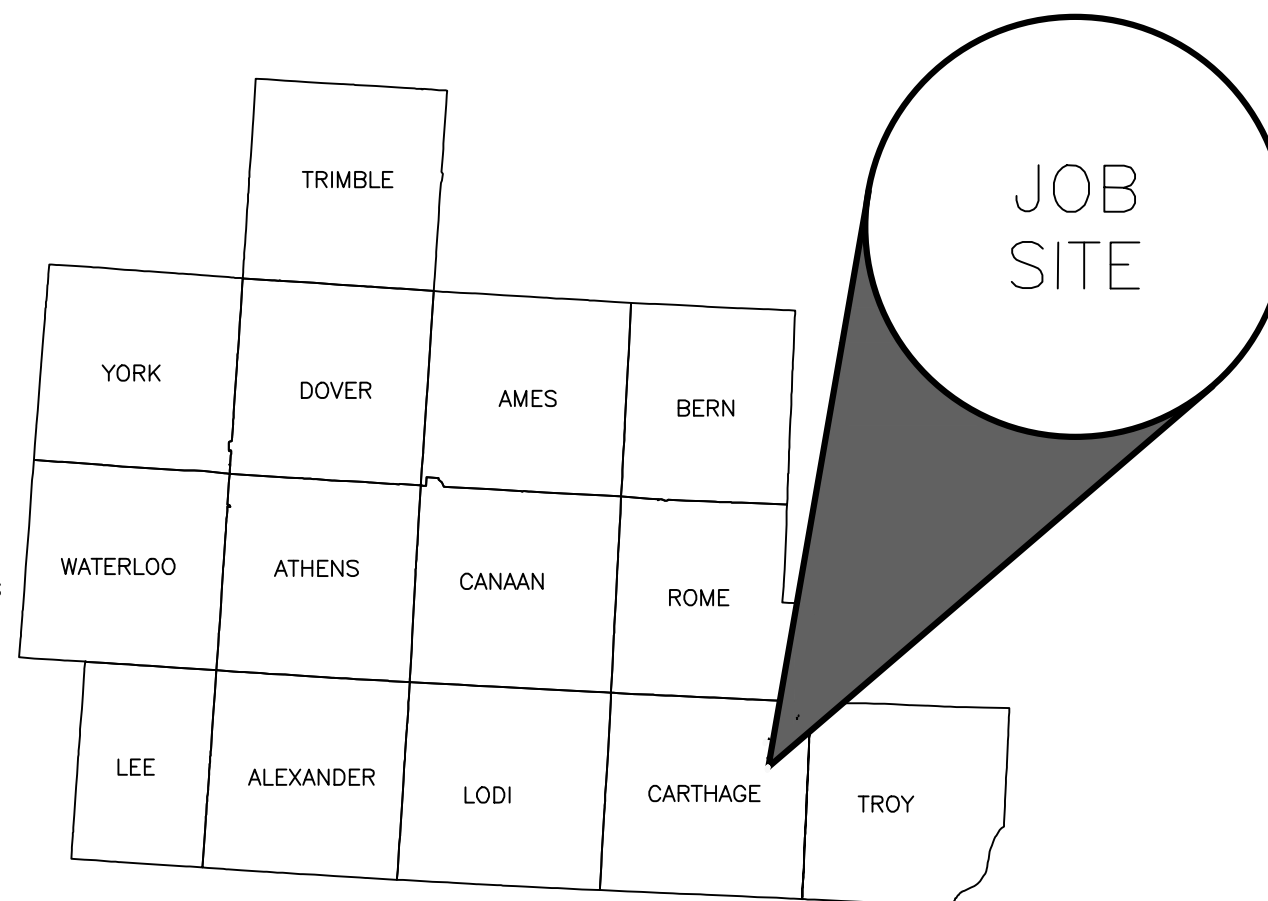


Location Maps



ATHENS COUNTY

****SPECIAL NOTE****

IF POTENTIAL CULTURAL RESOURCE ITEMS ARE DISCOVERED DURING CONSTRUCTION, IMMEDIATELY STOP WORK AND NOTIFY THE NRCS CULTURAL RESOURCES COORDINATOR- BRYAN LEE 614-255-2487

****SPECIAL NOTE****

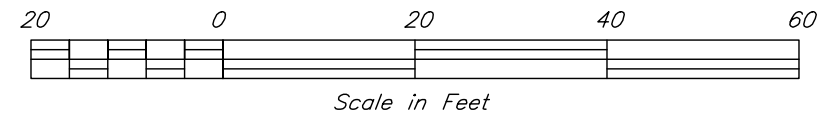
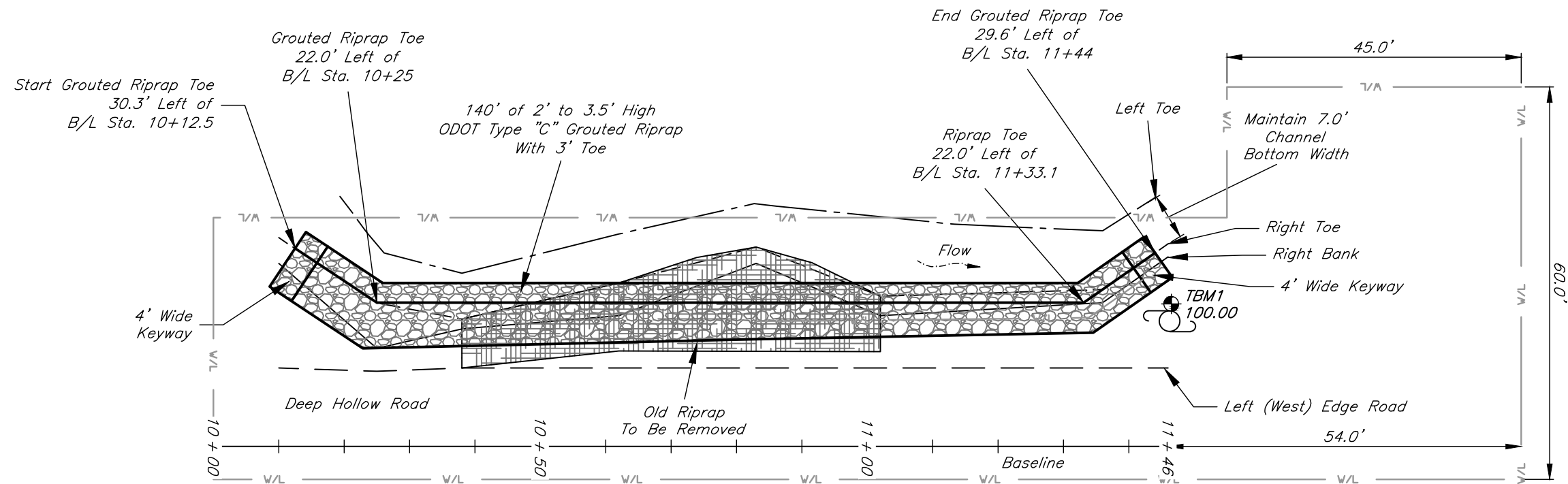
THE CONTRACTOR IS RESPONSIBLE TO USE ALL APPROPRIATE BEST MANAGEMENT PRACTICES TO MINIMIZE THE LIKELIHOOD OF SITE EROSION AND OFFSITE SEDIMENT TRANSPORT. WHEN FINAL SITE STABILIZATION CANNOT BE COMPLETED WITHIN 14 DAYS OF COMMENCEMENT OF CONSTRUCTION, AN OHIO EPA NPDES PERMIT MAY BE REQUIRED (CONTRACTOR IS RESPONSIBLE FOR OBTAINING THIS PERMIT IF REQUIRED).

UNDERGROUND UTILITIES AT EXCAVATION SITE				
OHIO I.D.#	A028702540	A028702556		
	A028702577	A028702585		
	A028702602			
UTILITY INFORMATION 1/				OUPS MEMBER & LIMITED BASIS PARTICIPANT
NAME	ADDRESS	PHONE NO.	NO REPLY	
1/ IF NO UTILITIES ARE IDENTIFIED IN THE AREA, CHECK THIS BOX.				<input checked="" type="checkbox"/>

NOTICE TO LANDOWNER AND EXCAVATOR
 Landowners or operators, sponsoring organizations, and contractors are liable for any damage resulting from disruption of a utility service caused by construction activities. NRCS makes no representation on the existence or non-existence of utilities on this site.
 Excavator must notify all utilities at least 48 hours, and not more than 10 days, prior to the planned commencement of excavation.
 Call OHIO811 (800-362-2764 or 811) for a listing of OUPS and OGPUPS members and limited basis participant members.

SHEET INDEX			
Sheet No.	TITLE	Sheet No.	TITLE
1	COVER SHEET	7	PLAN VIEW SITE #4
2	PLAN VIEW SITE #1	8	GABION BASKET DETAILS SITE #4
3	PLAN VIEW SITE #2	9	PLAN VIEW SITE #5
4	GROUTED RIPRAP DETAILS SITE #1 & 2	10	PLAN VIEW SITE #6
5	PLAN VIEW SITE #3	11	PLAN VIEW SITE #7
6	GABION BASKET DETAILS SITE #3	12	RIPRAP DETAILS SITE #5, 6, & 7

Date: 10/20
 Designed: K. Lewis
 Drawn: K. Lewis
 Checked: Mike Monnin
 Approved: _____
 ATHENS COUNTY, OHIO
 DEEP HOLLOW ROAD EWP COVER SHEET
 CARTHAGE TWP
 United States Department of Agriculture
 Natural Resources Conservation Service
 Job Class IV
 Drawing No.
 Sheet 1 of 12



LEGEND

- Benchmark
- Utility Pole
- Baseline
- Left Toe
- Right Toe
- Edge Road
- Top of Bank
- Work Limits
- Existing Fence

WORK LIMITS

Work limits start at B/L Sta. 10+00 and extend downstream to B/L Sta. 12+00. Width extends 5' to the east of the east road edge, and 35' west of the baseline, except between B/L Sta. 11+55 to 12+00, where the limits extend 55' west of the baseline

BENCHMARK & BASELINE DESCRIPTIONS:

TBM1 - 40D nail driven in west side of utility pole on west side of Deep Hollow Rd. TBM1 is 21.8' left of B/L Sta. 11+46.5. Marked with white ribbon. Assumed Elev. = 100.0

BASELINE: East edge of Deep Hollow Road. Baseline begins at Sta. 10+00 and extends to Sta. 11+46 at north end of work area. Baseline is unmarked from Sta. 11+46 to 12+00, but this area is within the work limits. Baseline offset is marked by lath with white flagging.

Designed	K. Lewis	Date	10/20
Drawn	K. Lewis	Date	10/20
Checked	M. Monnin	Date	2/2021
Approved			

**DEEP HOLLOW ROAD EWP
PLAN VIEW SITE #1**

ATHENS COUNTY, OHIO

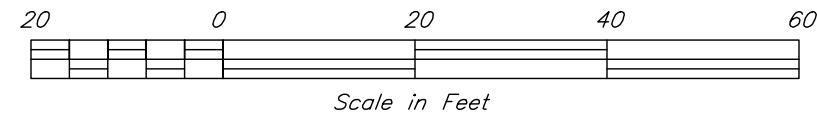
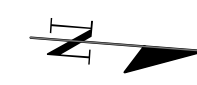
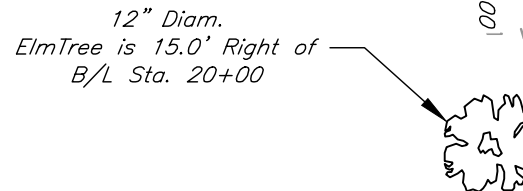
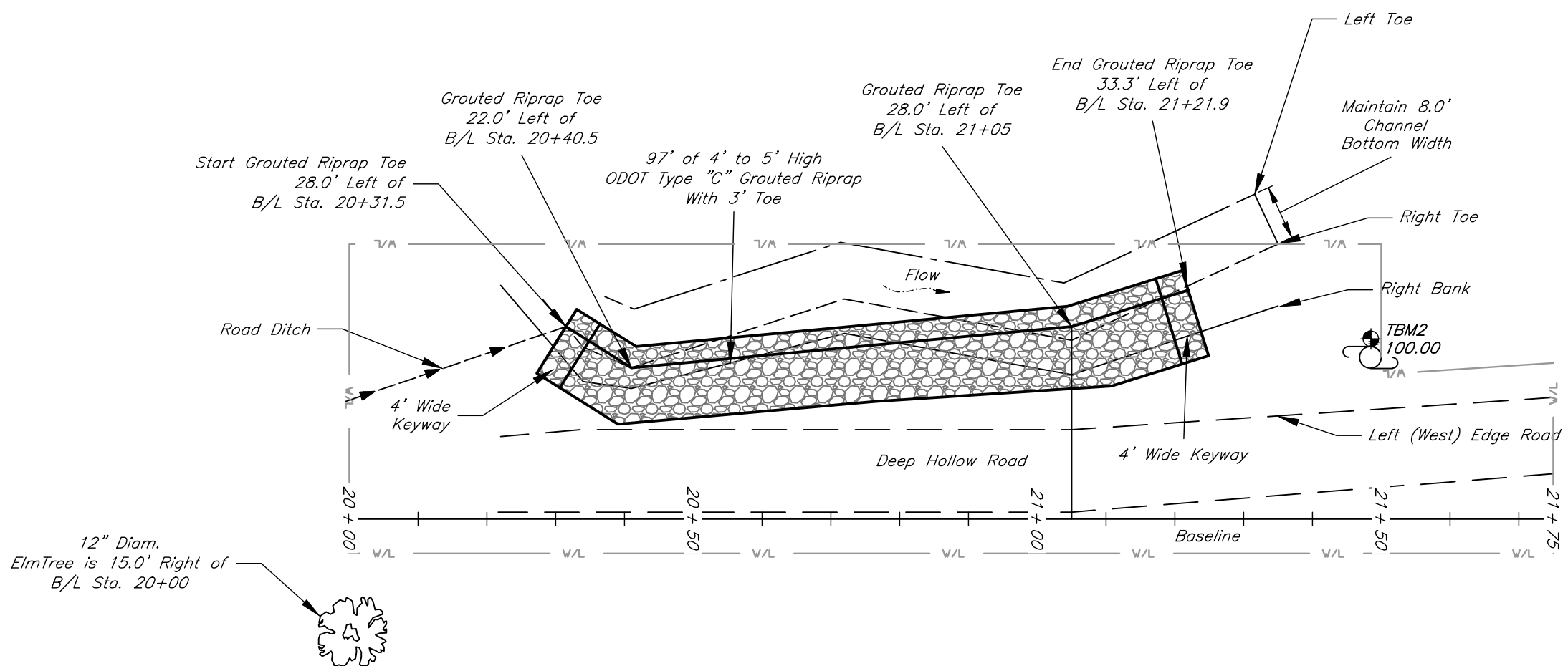
CARTHAGE TWP

United States Department of Agriculture
Natural Resources Conservation Service

File No. _____

Drawing No. _____

Sheet 2 of 12



LEGEND

- Benchmark
- Utility Pole
- Baseline
- Left Toe
- Right Toe
- Edge Road
- Top of Bank
- Work Limits
- Existing Fence

WORK LIMITS

Work limits start at B/L Sta. 20+00 and extend downstream to B/L Sta. 21+75. Width extends 5' to the east of the baseline, and 40' west of the baseline, except between B/L Sta. 21+50 to 21+75, where the limits extend 5' west of the west road edge.

BENCHMARK & BASELINE DESCRIPTIONS:

TBM2 – 40D nail driven in west side of utility pole on west side of Deep Hollow Rd. TBM2 is 26.2' left of B/L Sta. 21+48.5. Marked with white ribbon. Assumed Elev. = 100.0

BASELINE: East edge of Deep Hollow Road. Baseline begins at Sta. 20+00 and extends to Sta. 21+75 at north end of work area. Baseline offset is marked by lath with white flagging.

Designed	K. Lewis	Date	10/20
Drawn	K. Lewis	Date	10/20
Checked	M. Monnin	Date	2/2021
Approved			

**DEEP HOLLOW ROAD EWP
PLAN VIEW SITE #2**

ATHENS COUNTY, OHIO

CARTHAGE TWP

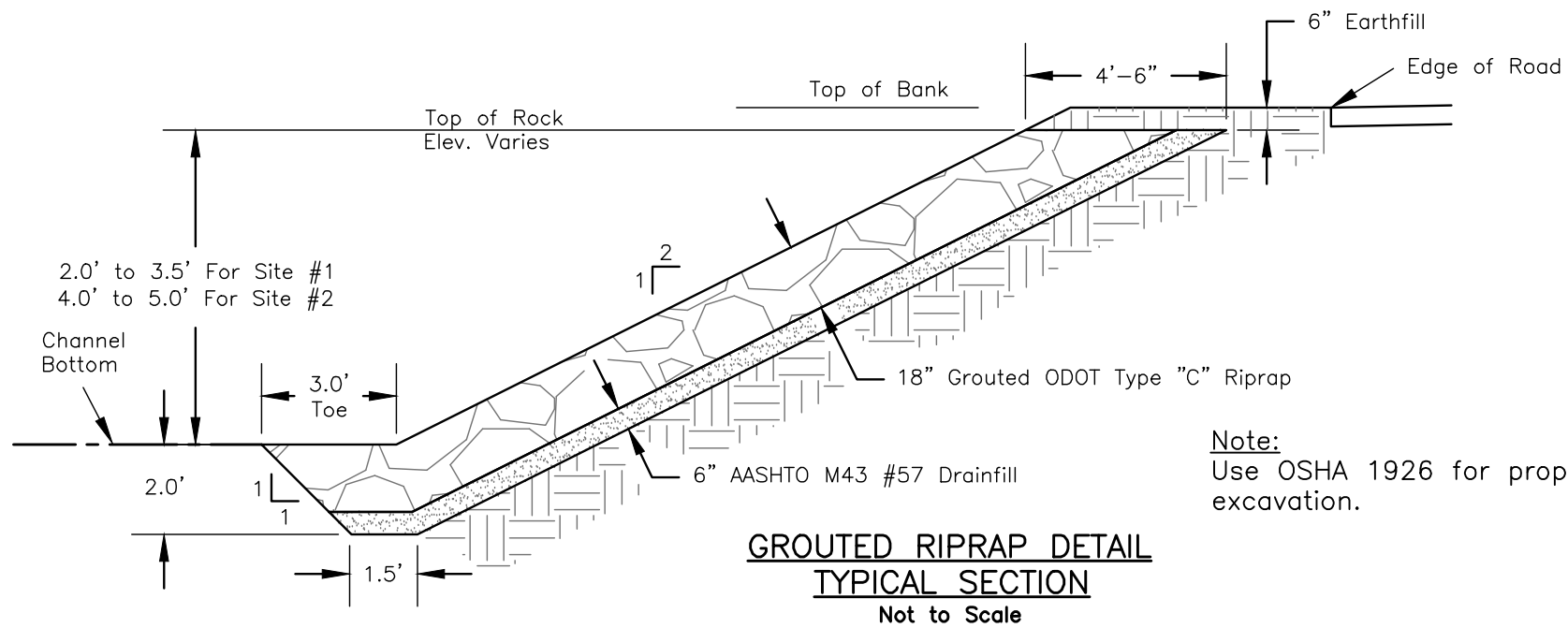
United States Department of Agriculture

 Natural Resources Conservation Service

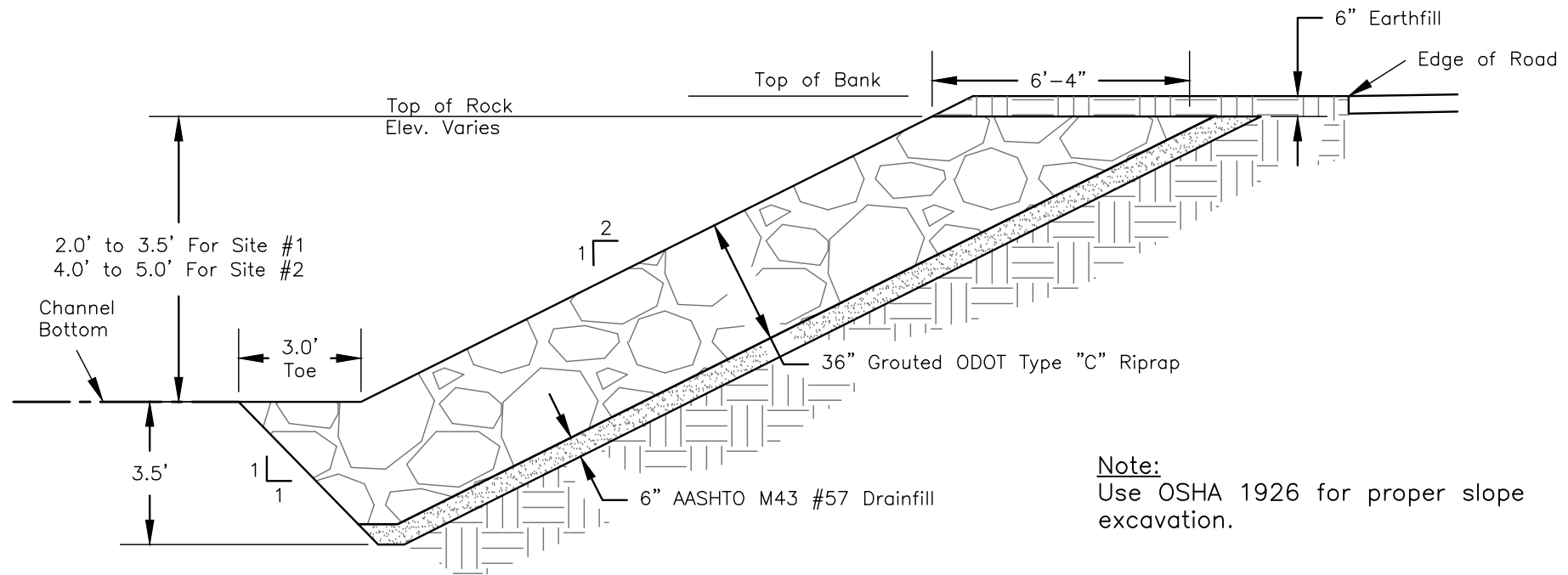
File No. _____

Drawing No. _____

Sheet 3 of 12



Note:
Use OSHA 1926 for proper slope excavation.



Note:
Use OSHA 1926 for proper slope excavation.

Designed	K. Lewis	Date	10/20
Drawn	K. Lewis	Date	10/20
Checked	M. Monnin	Date	2/2021
Approved			

DEEP HOLLOW ROAD EWP
GROUTED RIPRAP DETAILS SITE #1 & 2

ATHENS COUNTY, OHIO

CARTHAGE TWP

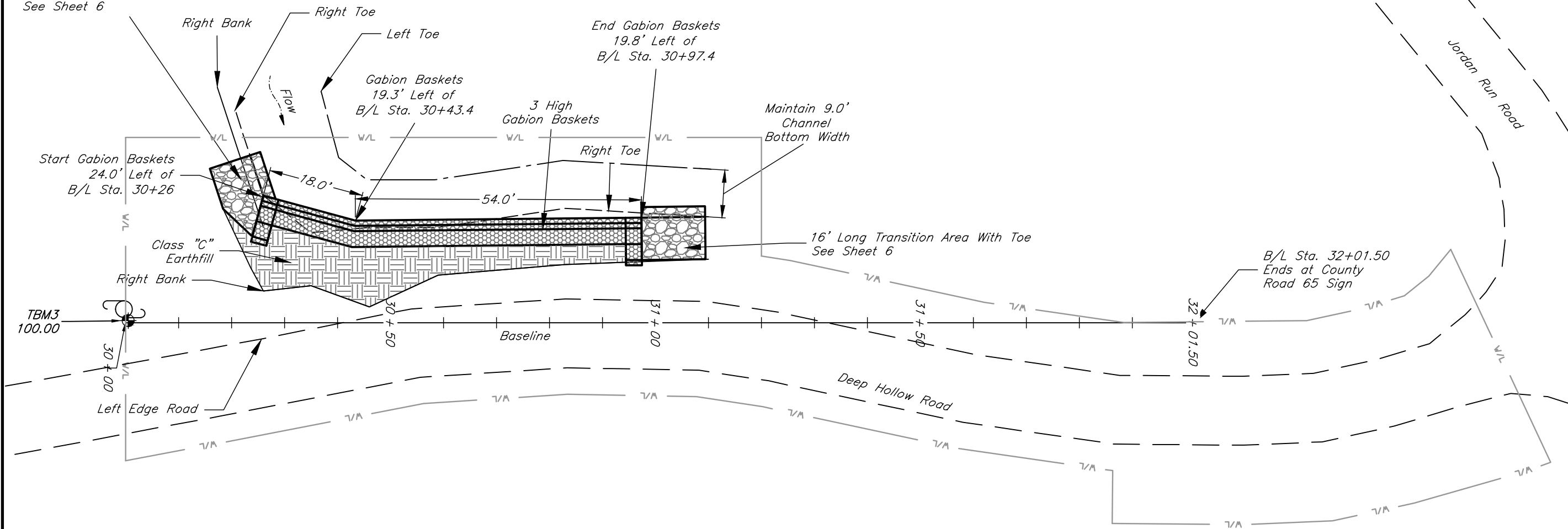


File No.

Drawing No.

Sheet 4 of 12

8' Long Transition Area With Toe
(Measured Along Toe)
See Sheet 6



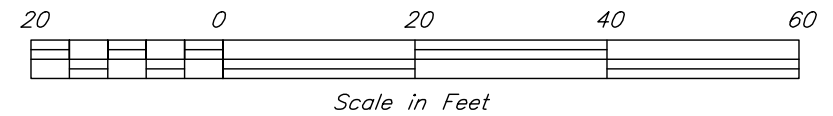
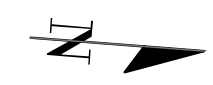
Date	10/20
Designed	K. Lewis
Drawn	K. Lewis
Checked	M. Monnin
Approved	

**DEEP HOLLOW ROAD EWP
PLAN VIEW SITE #3**

ATHENS COUNTY, OHIO

CARTHAGE TWP

United States Department of Agriculture USDA Natural Resources Conservation Service
File No.
Drawing No.
Sheet 5 of 12



LEGEND

Benchmark	
Utility Pole	
Baseline	
Left Toe	
Right Toe	
Edge Road	
Top of Bank	
Work Limits	
Existing Fence	

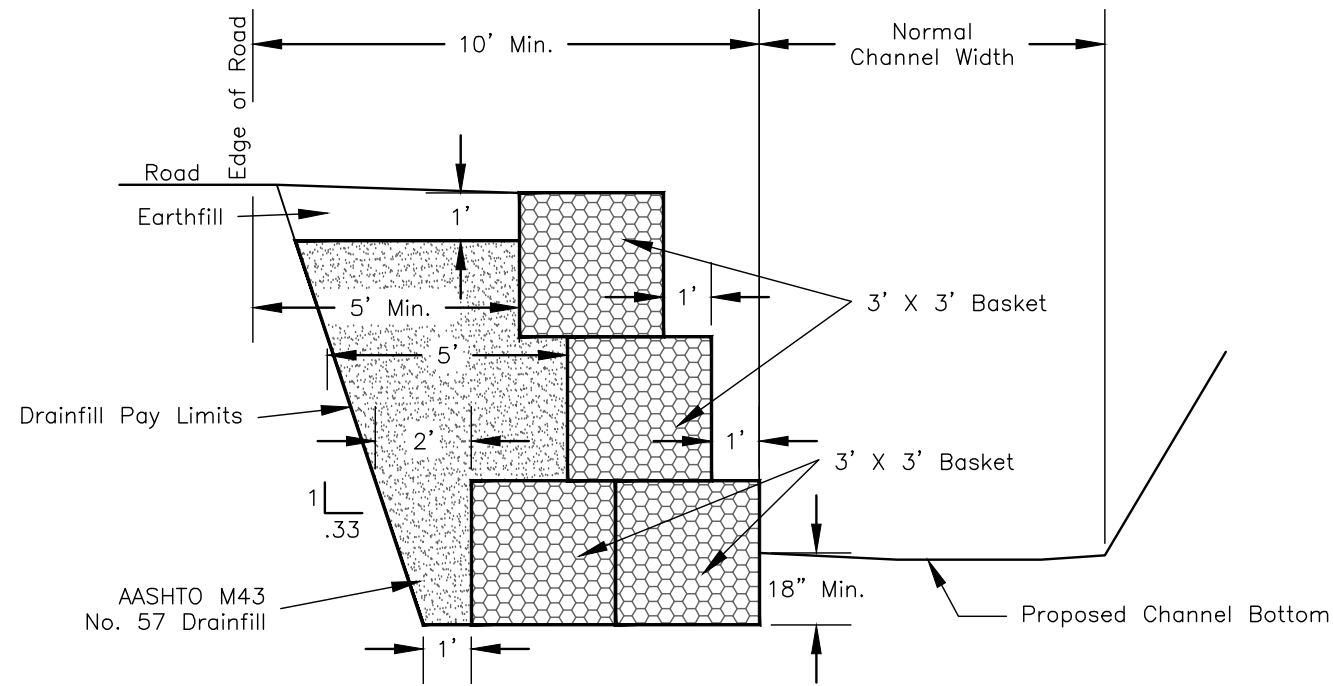
WORK LIMITS

Work limits start at B/L Sta. 30+00 and extend downstream to B/L Sta. 32+69. Width extends 5' to the east of the east road edge, except between B/L Sta. 31+86 to 32+69, where the limits extend to 15' east of the east road edge. Width also extends 35' west of the baseline between B/L Sta. 30+00 to 31+70, and 10' west of the west road edge between B/L Sta. 31+70 to 32+69.

BENCHMARK & BASELINE DESCRIPTIONS:

TBM3 - 40D nail driven on north side of utility pole on west side of Deep Hollow Rd. TBM3 is 0.4' left of B/L Sta. 30+00.5. Marked with white ribbon. Assumed Elev. = 100.0

BASELINE: Baseline begins at Sta. 30+00 and extends to Sta. 32+01.50 at north end of work area. Baseline is unmarked from Sta. 32+01.5 to 32+69, but this area is within the work limits. Baseline is marked with white flagging.



**GABION BASKET DETAIL
THREE BASKETS**
Not to Scale

Note:

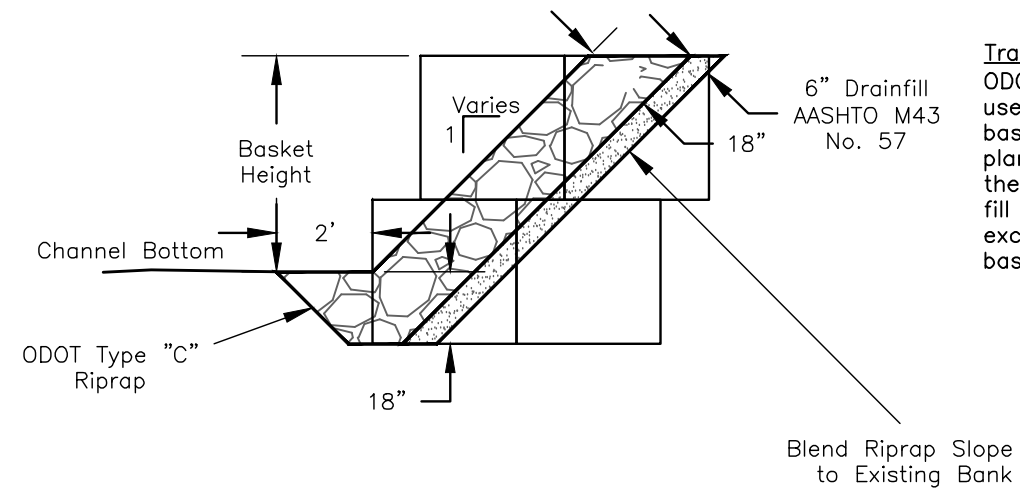
Whenever bedrock is encountered within 6 in. of bottom of basket, basket must be pinned. When pinning baskets, use 1 in. diameter rebar 36 in. long in each front face cell. Drill into rock at least 18 in. If bedrock is not found, subgrade half of bottom basket. See Gabion detail.

Note:

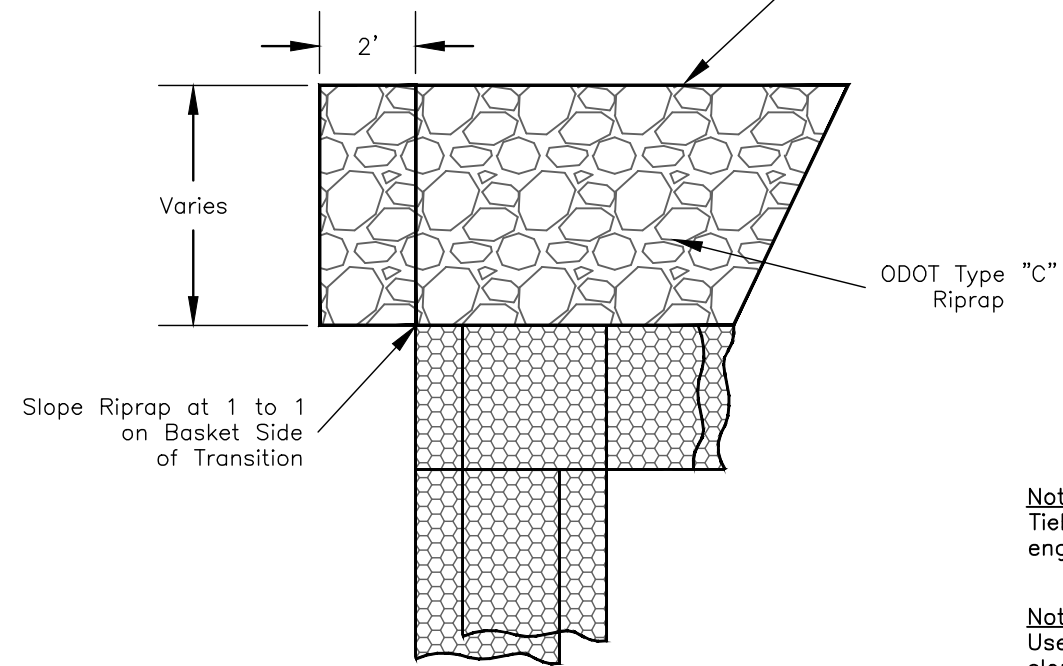
Top of baskets shall not be higher than edge of road.

Note:

Use OSHA 1926 for proper slope excavation.



**Typical Transition Area with Toe
Section View**



**Typical Transition Area with Toe
Plan View**
Not to Scale

Transition Note:

ODOT Type "C" Riprap will be used at ends of the gabion baskets where shown in planview for a transition to the existing side slope and to fill the void created when excavating for the gabion baskets.

Note:

Tiebacks to be determined by engineer in the field.

Note:

Use OSHA 1926 for proper slope excavation.

Date	10/20
Designed	K. Lewis
Drawn	K. Lewis
Checked	M. Monnin
Approved	

DEEP HOLLOW ROAD EWP
GABION BASKET DETAILS SITE #3

ATHENS COUNTY, OHIO

CARTHAGE TWP



File No.

Drawing No.

Date	10/20
Designed	K. Lewis
Drawn	K. Lewis
Checked	M. Monnin
Approved	

DEEP HOLLOW ROAD EWP
 PLAN VIEW SITE #4
 ATHENS COUNTY, OHIO
 CARTRIDGE TWP

United States Department of Agriculture USDA Natural Resources Conservation Service
File No.
Drawing No.
Sheet 7 of 12

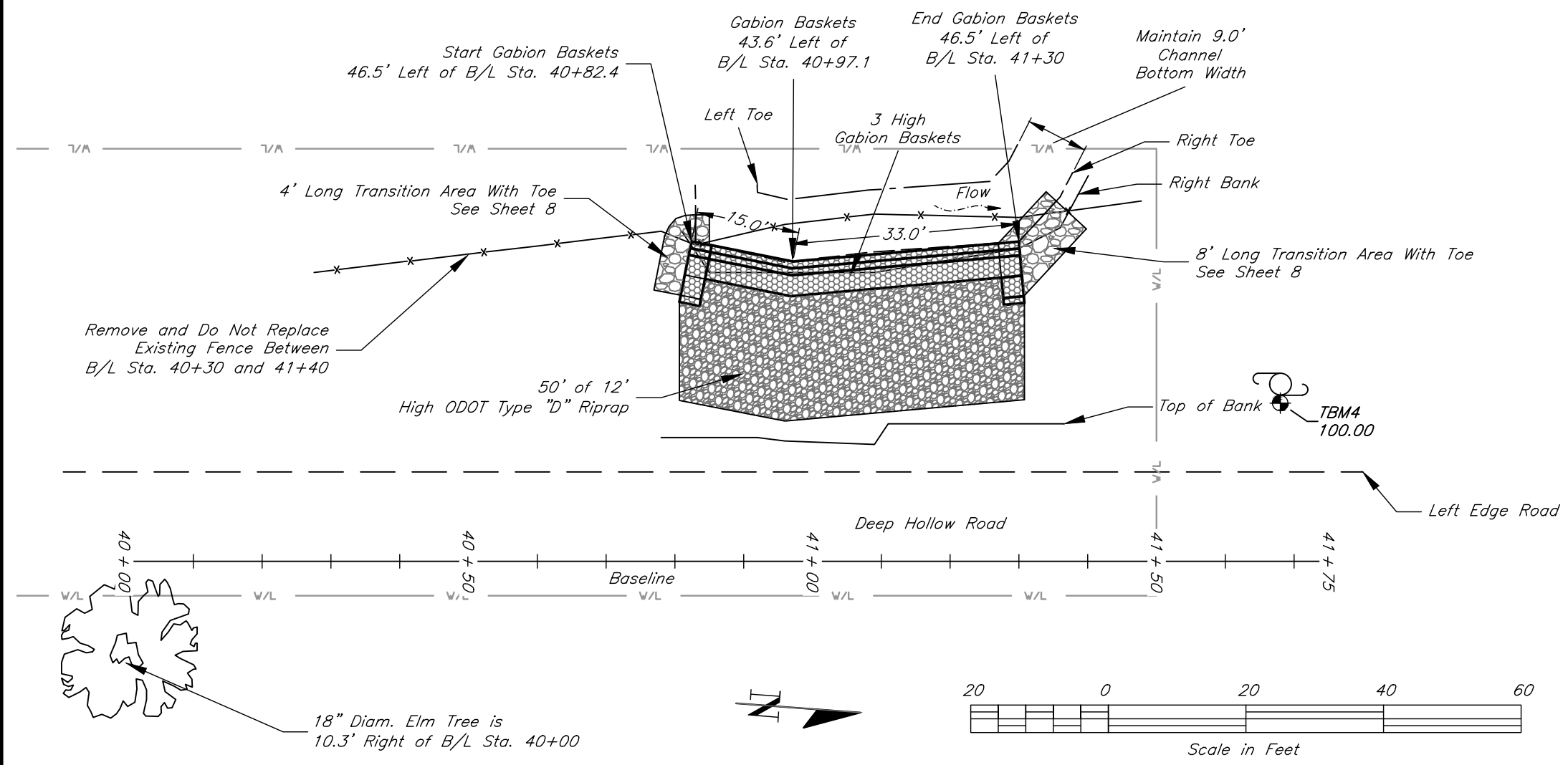
LEGEND

- Benchmark
- Utility Pole
- Baseline
- Left Toe
- Right Toe
- Edge Road
- Top of Bank
- Work Limits W/L
- Existing Fence

BENCHMARK & BASELINE DESCRIPTIONS:

TBM4 – 40D nail driven into utility pole on the west side of Deep Hollow Rd. TBM4 is 23.0' left of B/L Sta. 41+68. Marked with white ribbon. Assumed Elev. = 100.0

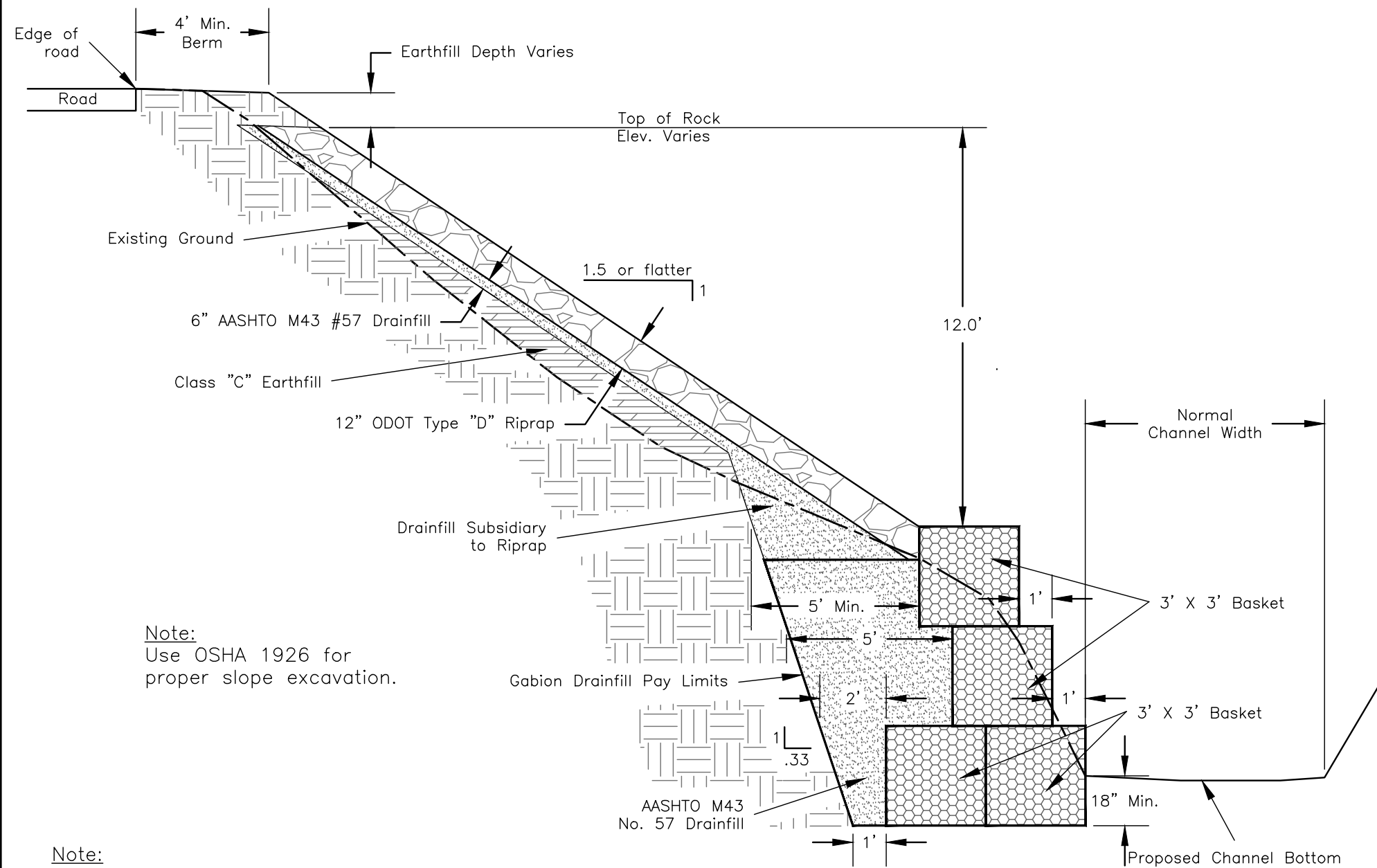
BASELINE: East edge of Deep Hollow Road. Baseline begins at Sta. 40+00 and extends to Sta. 41+75 at north end of work area. Baseline offset is marked by lath with white flagging.



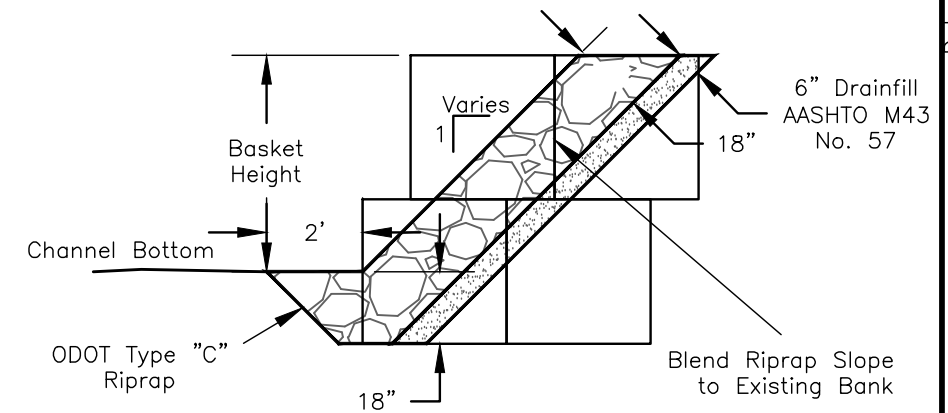
WORK LIMITS

Work limits start at B/L Sta. 38+10 (unmarked) and extend downstream to B/L Sta. 41+50. Width extends 5' to the east of the east road edge, and 60' west of the baseline (47' west of the west road edge). The work limits do not include the existing culvert at the south edge of the work limits.



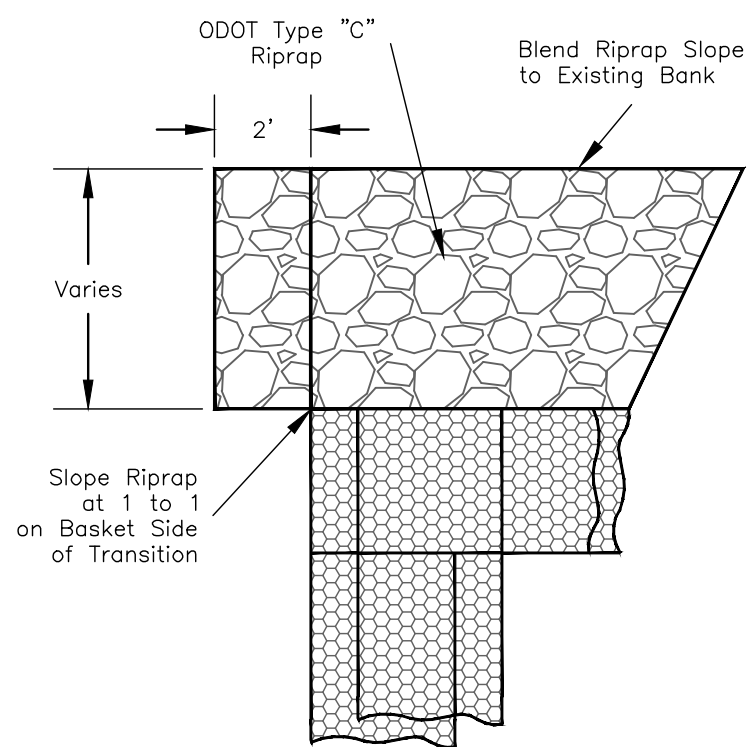


**GABION BASKET DETAIL
THREE BASKETS**
Not to Scale



**Typical Transition Area with Toe
Section View**
Not to Scale

Transition Note:
ODOT Type "C" Riprap will be used at ends of the gabion baskets where shown in planview for a transition to the existing side slope and to fill the void created when excavating for the gabion baskets.



**Typical Transition Area with Toe
Plan View**
Not to Scale

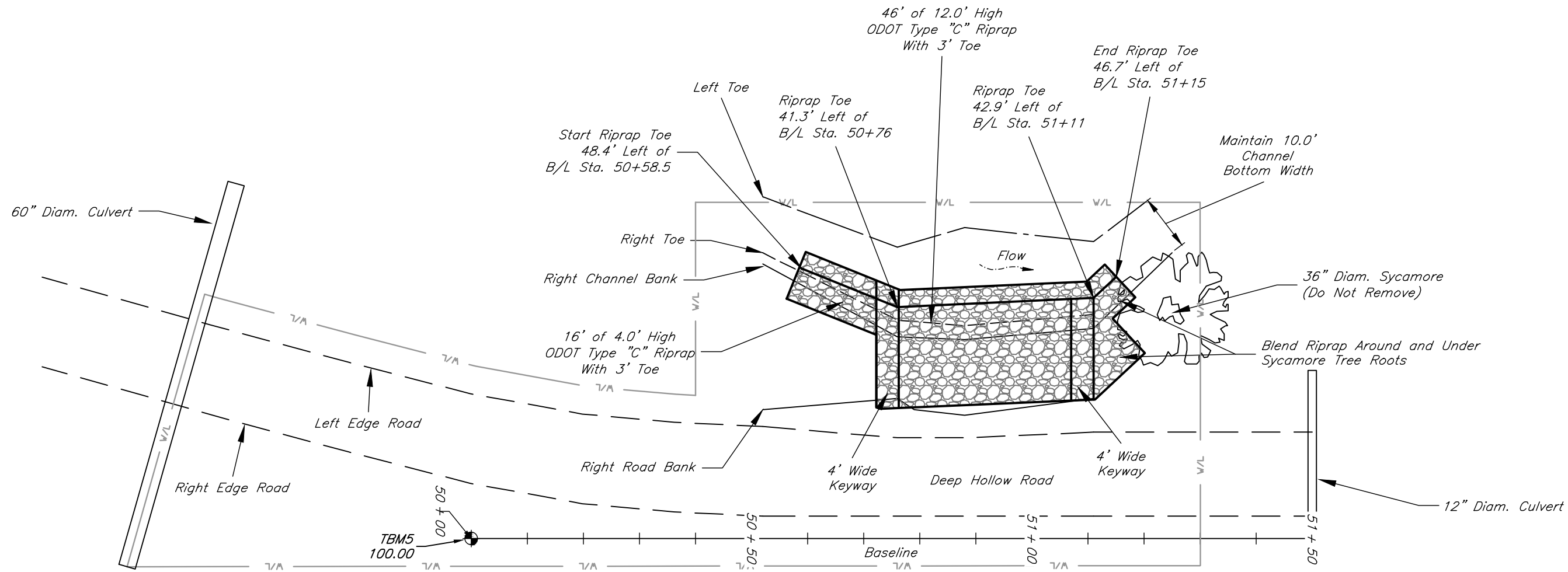
Note:
Use OSHA 1926 for proper slope excavation.

Note:
Whenever bedrock is encountered within 6 in. of bottom of basket, basket must be pinned. When pinning baskets, use 1 in. diameter rebar 36 in. long in each front face cell. Drill into rock at least 18 in. If bedrock is not found, subgrade half of bottom basket. See Gabion detail.

Date	10/20
Designed	K. Lewis
Drawn	K. Lewis
Checked	M. Monnin
Approved	

DEEP HOLLOW ROAD EWP
 GABION BASKET DETAILS SITE #4
 ATHENS COUNTY, OHIO
 CARTHAGE TWP





LEGEND

- Benchmark
- Utility Pole
- Baseline
- Left Toe
- Right Toe
- Edge Road
- Top of Bank
- Work Limits
- Existing Fence

WORK LIMITS

Work limits start at B/L Sta. 49+40 following the centerline of the 60" diam. culvert and extend downstream to B/L Sta. 51+30. Width extends 5' to the east of the baseline, and 5' west of the west road edge, except between B/L Sta. 50+40 to 51+30, where the limits extend 60' west of the baseline

BENCHMARK & BASELINE DESCRIPTIONS:

TBM5 – Top of hub marked with lath on the east side of Deep Hollow Rd. TBM5 is on B/L Sta. 50+00 Marked with lath and white flagging. Assumed Elev. = 100.0

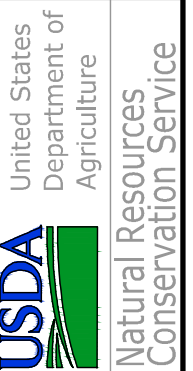
BASELINE: Baseline begins at Sta. 49+40, goes through TBM5 at Sta. 50+00, and extends to Sta. 51+50 (top of 15" diam. HDPE culvert inlet, marked with white paint) at north end of work area. Baseline is unmarked from Sta. 49+40 to 50+00, but this area is within the work limits.

Designed	K. Lewis	Date	10/20
Drawn	K. Lewis	Date	10/20
Checked	M. Monnin	Date	2/2021
Approved			

**DEEP HOLLOW ROAD EWP
PLAN VIEW SITE #5**

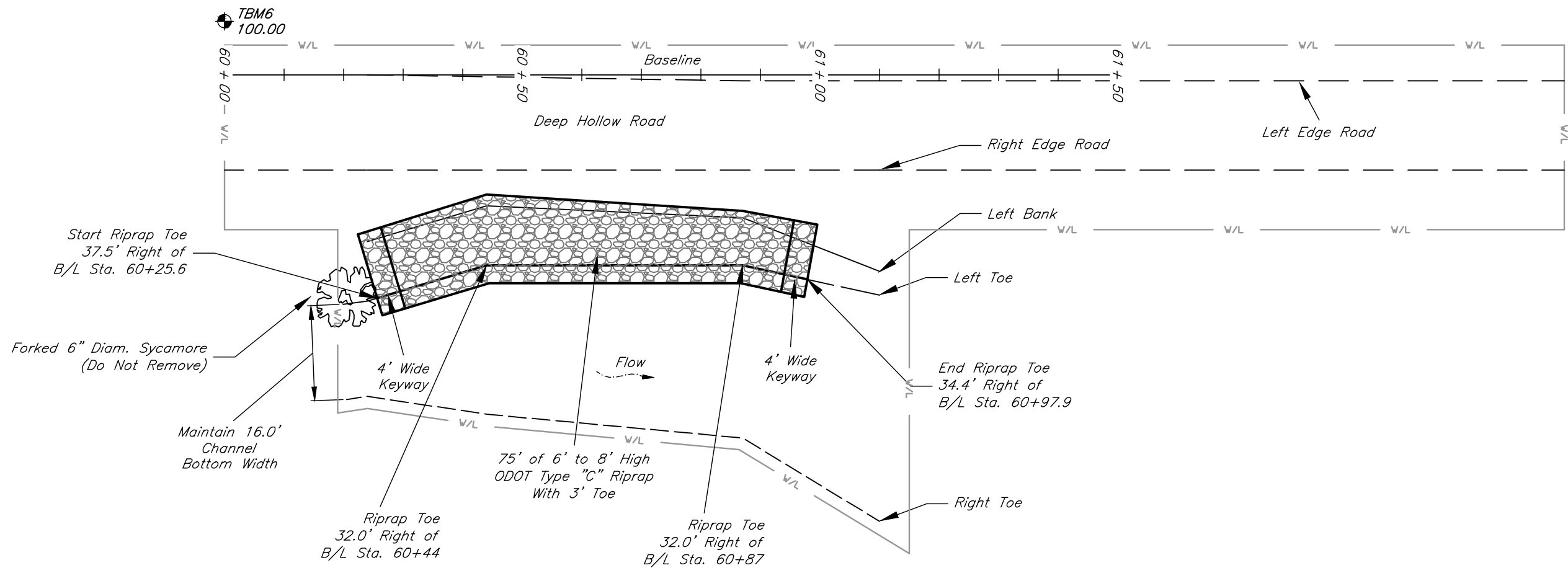
CARTHAGE TWP

ATHENS COUNTY, OHIO



File No.

Drawing No.



Start Riprap Toe
37.5' Right of
B/L Sta. 60+25.6

Forked 6" Diam. Sycamore
(Do Not Remove)

Maintain 16.0'
Channel
Bottom Width

Riprap Toe
32.0' Right of
B/L Sta. 60+44

75' of 6' to 8' High
ODOT Type "C" Riprap
With 3' Toe

Riprap Toe
32.0' Right of
B/L Sta. 60+87

End Riprap Toe
34.4' Right of
B/L Sta. 60+97.9

LEGEND

- Benchmark
- Utility Pole
- Baseline
- Left Toe
- Right Toe
- Edge Road
- Top of Bank
- Work Limits
- Existing Fence

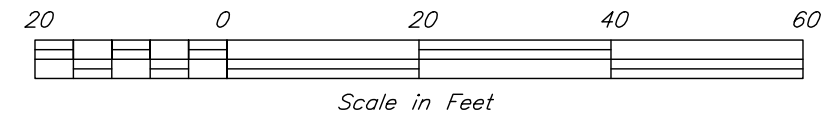
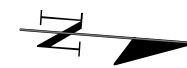
WORK LIMITS

Work limits start at B/L Sta. 60+00 and extend downstream to B/L Sta. 62+25. Width extends 5' west of the baseline, and 25' east of the baseline, except between B/L Sta. 60+20 to 61+15, where the limits extend further east to the right channel toe.

BENCHMARK & BASELINE DESCRIPTIONS:

TBM6 – Hub marked with lath on west side of Deep Hollow Rd., 9.0' left of B/L Sta. 60+00. Marked with white ribbon. Assumed Elev. = 100.0

BASELINE: Baseline Sta. 60+00 begins 9.0' right of TBM6 and extends to Sta. 61+50 at north end of work area. Baseline in unmarked from Sta. 61+50 to 62+25, but this area is within the work limits. Baseline offset is marked by lath with white flagging



**DEEP HOLLOW ROAD EWP
PLAN VIEW SITE #6**

Designed	K. Lewis	Date	10/20
Drawn	K. Lewis	Date	10/20
Checked	M. Monnin	Date	2/2021
Approved			

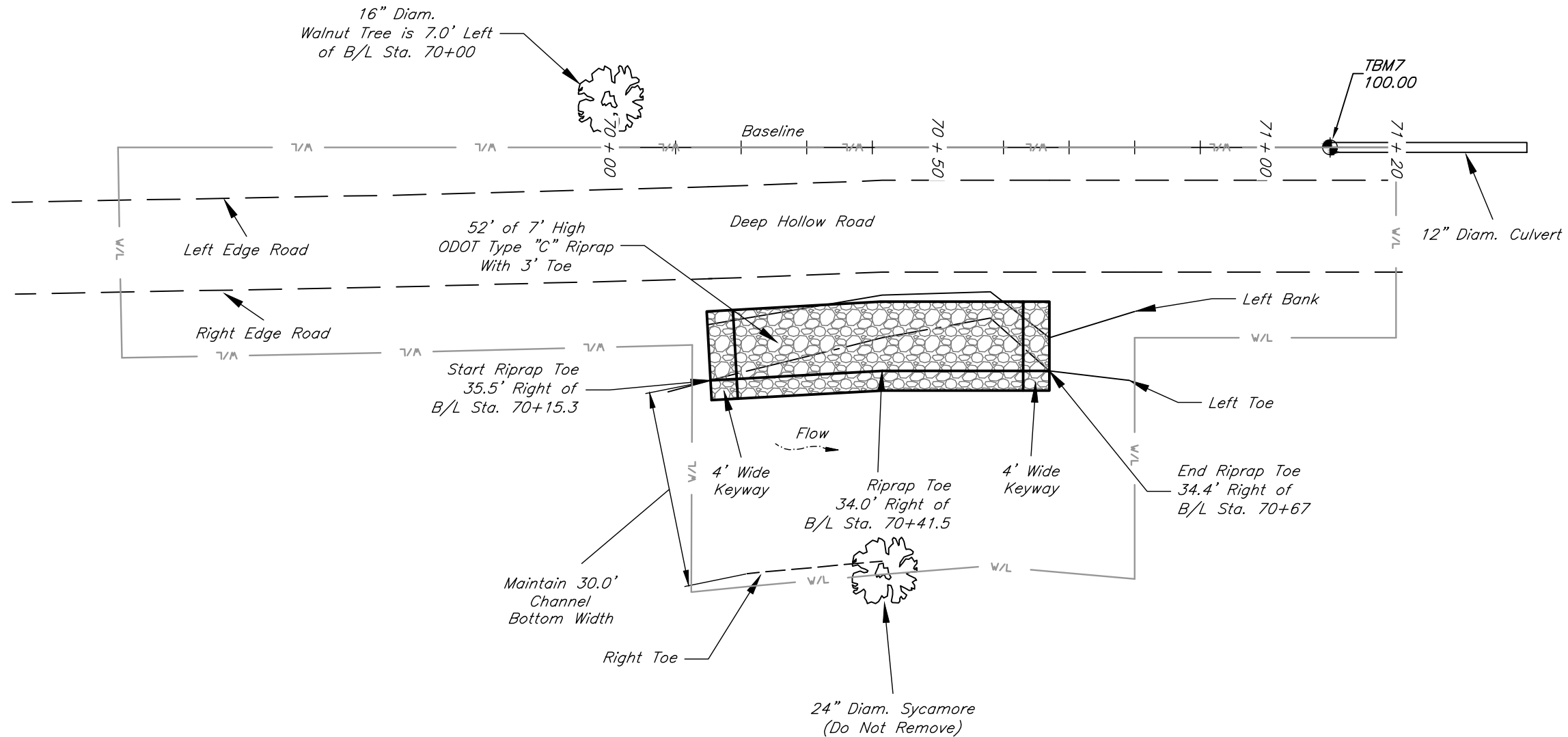
CARTHAGE TWP

ATHENS COUNTY, OHIO



File No.

Drawing No.



LEGEND

- Benchmark
- Utility Pole
- Baseline
- Left Toe
- Right Toe
- Edge Road
- Top of Bank
- Work Limits
- Existing Fence

WORK LIMITS

Work limits start at B/L Sta. 69+25 and extend downstream to B/L Sta. 71+20. Width extends from the baseline to 30' east of the baseline, except between B/L Sta. 70+12 to 70+80, where the limits extend further east to the right channel toe.

BENCHMARK & BASELINE DESCRIPTIONS:

TBM7 – Top of 12" HDPE culvert inlet on west side of Deep Hollow Rd. TBM7 is on B/L Sta. 71+09.8. Marked with white paint. Assumed Elev. = 100.0

BASELINE: Baseline begins at Sta. 70+00 and extends to TBM7 at B/L Sta. 71+09.8 at north end of work area. Baseline is unmarked from Sta. 69+25 to 70+00, but this area is within the work limits. Baseline offset is marked by lath with white flagging.

Designed	K. Lewis	Date	10/20
Drawn	K. Lewis	Date	10/20
Checked	M. Monnin	Date	2/2021
Approved			

**DEEP HOLLOW ROAD EWP
PLAN VIEW SITE #7**

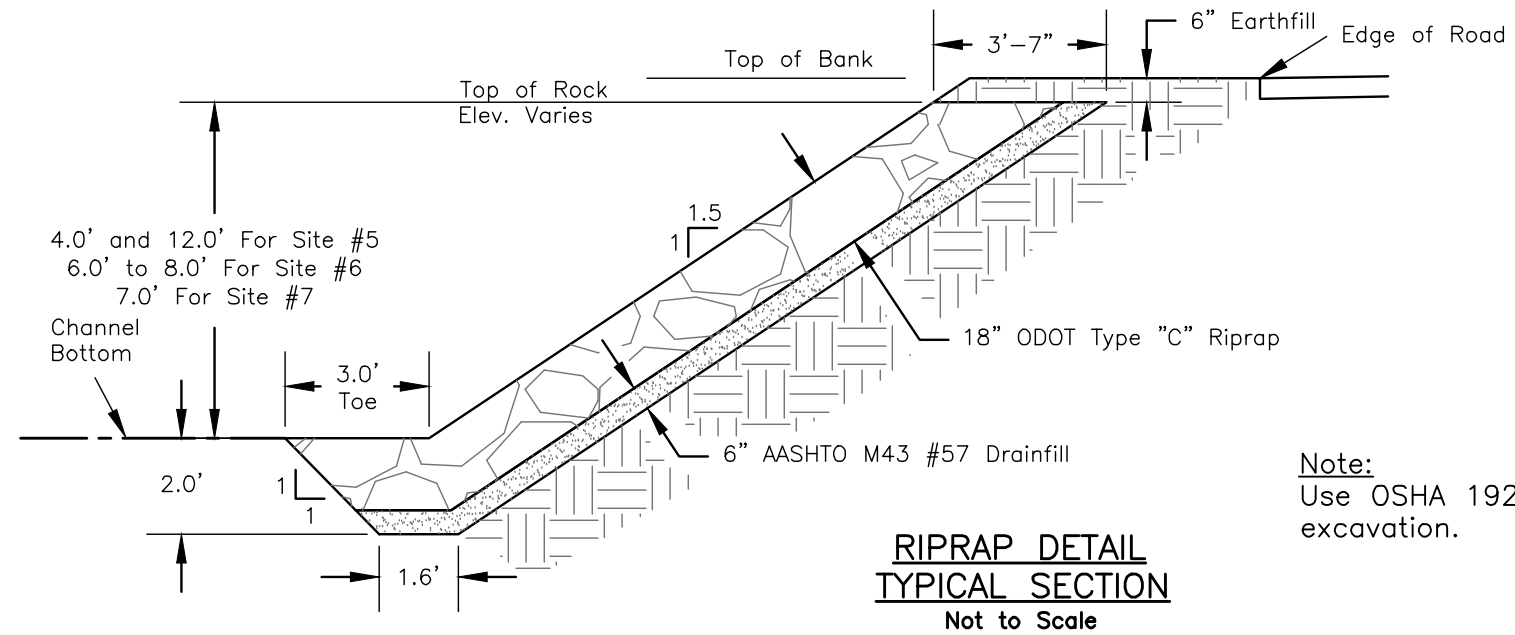
CARTHAGE TWP

ATHENS COUNTY, OHIO

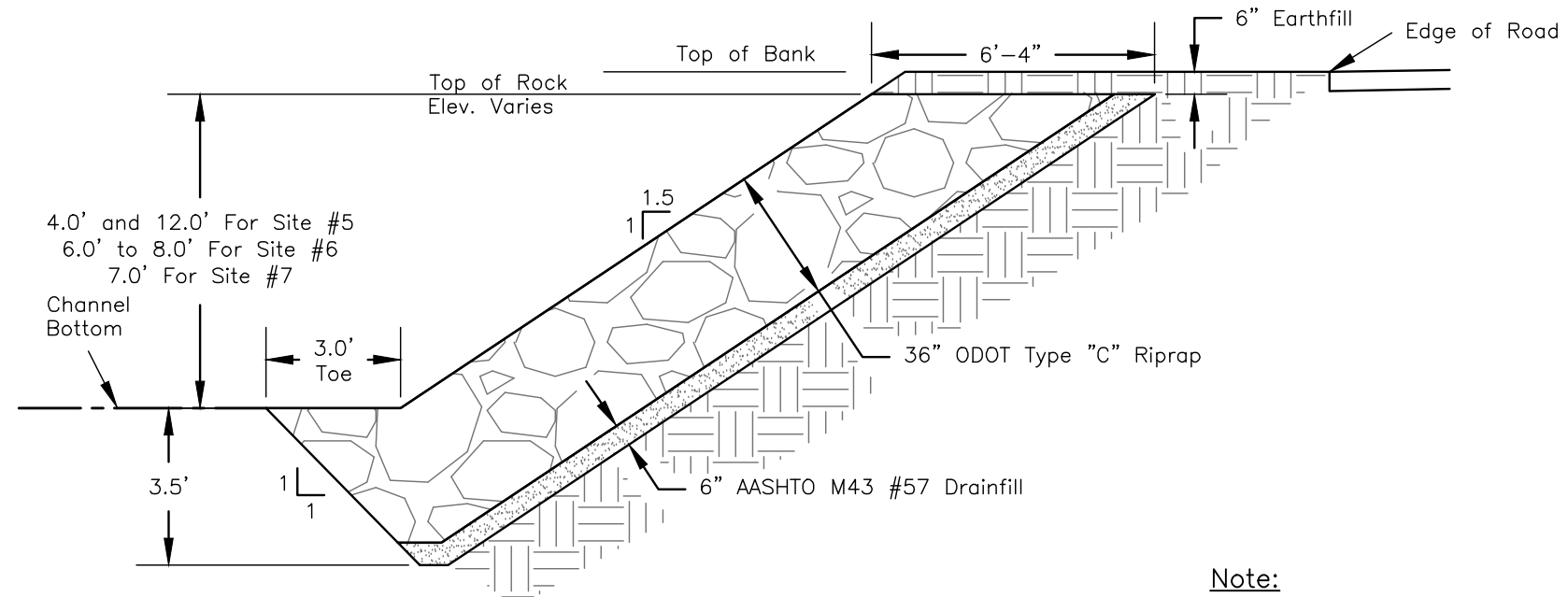


File No.

Drawing No.



Note:
Use OSHA 1926 for proper slope excavation.



Note:
Use OSHA 1926 for proper slope excavation.

Designed	K. Lewis	Date	10/20
Drawn	K. Lewis		10/20
Checked	M. Monnin		2/2021
Approved			

DEEP HOLLOW ROAD EWP
RIPRAP DETAILS SITE #5, 6, & 7

ATHENS COUNTY, OHIO

CARTHAGE TWP



File No.

Drawing No.